



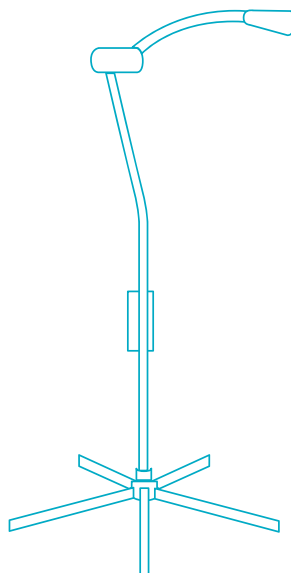
NOVA . LIGHT
OPERATING LIGHTS
300 / 350 SERIES

N E X O R

nexormedical.com

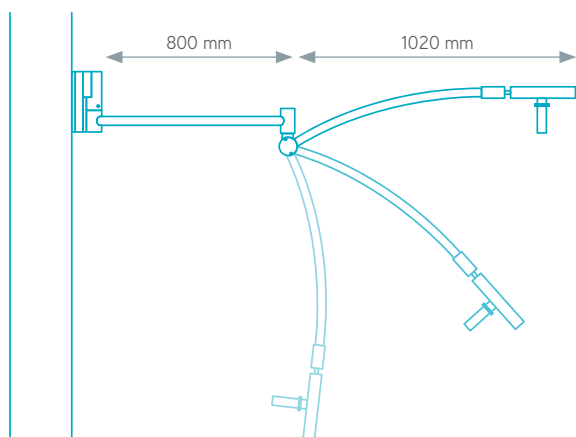
NOVA. Light 300/350

MOBILE VERSION

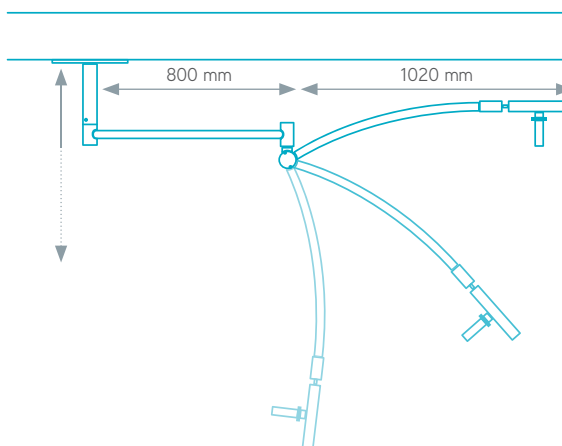


NOVA. LIGHT
OPERATING LIGHTS
300 / 350 SERIES

WALL VERSION



CEILING VERSION



TECHNICAL DATA	NOVA.light 300	NOVA.light 350
Electronic dimming (Continued)	40 - 80 klux	50 - 100 klux
Light intensity in 1m distance (lx)	80.000	100.000
Color temperature (Kelvin)	4.900	4.900
Light field (mm)	140/175	140
Color rendering index Ra	≥ 96	≥ 96
Red rendering index R9	≥ 96	≥ 96
Degree of protection	IP 20	IP 20
Weight of light head (kg)	3	3
Dimensions: Diameter	320 mm	320 mm
Quantity of LED's	18	18
Lifetime of LED light source (h)	50.000	50.000
Increase of temperature at head height	< 1° C	< 1° C
Power consumption (Watt)	22	22
Voltage range	100-230 VAC 50Hz / 60Hz	100-230 VAC 50Hz / 60Hz
Certification	CE IEC 60601-2-41	CE IEC 60601-2-41
Sterilized Handle	Yes available	Yes available
Max. humidity. work / storage	5 - 95%	5 - 95%

Tolerance ±10%; technical specifications are subject to change

NEXOR MEDICAL GMBH
TAKE-OFF GEWERBEPARK 9
78579 NEUHAUSEN OB ECK X GERMANY
TEL. +49 7467 910 67 13
MAIL info@nexormedical.com
WEB www.nexormedical.com