



N E X O R

nexormedical.com

NOVA.light

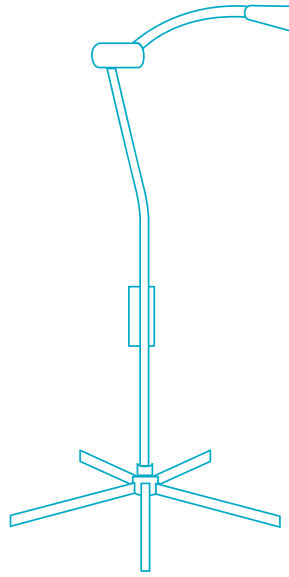
EXAMINATION LIGHTS

NOVA.light 200 | 300

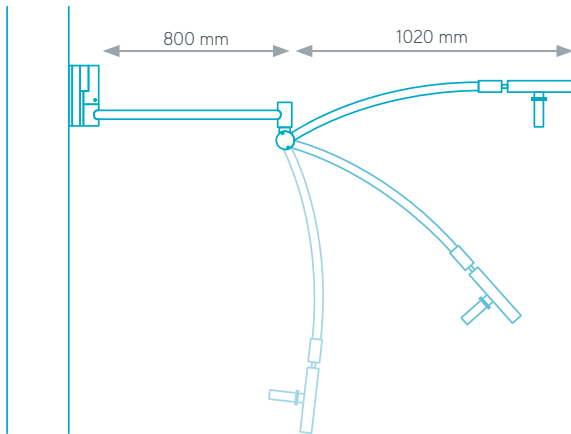
NOVA.light 200 | 300



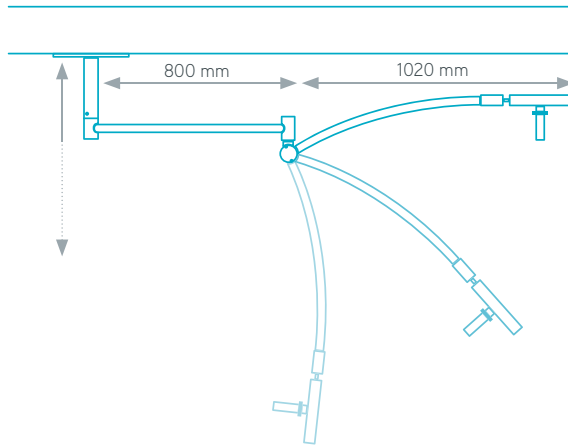
MOBILE VERSION



WALL VERSION



CEILING VERSION



TECHNICAL DATA	NOVA.light 200	NOVA.light 300
Electronic diming	15 - 50 klux	35 - 80 klux
Light intensity in 1m distance (lx)	50.000	80.000
Color temperature (Kelvin)	4.900	4.900
Light field (mm)	195	140/175
Color rendering index Ra	≥96	≥96
Red rendering index R9	≥96	≥96
Weight of light head (kg)	3	3
Quantity of LED's	12	18
Lifetime of LED light source (h)	30.000	30.000
Increase of temperature at head height	< 1° C	< 1° C
Power consumption (Watt)	16	22
Certification	CE	CE

Tolerance ±10%; technical specifications are subject to change

NOVA.light
EXAMINATION LIGHTS
NOVA.light 200 | 300

NEXOR

NE

NEXOR MEDICAL GMBH
STOCKACHER STR. 134
78532 TUTTLINGEN X GERMANY
TEL +49 74 61 96 57 74 80
FAX +49 74 61 96 57 74 89
MAIL info@nexormedical.com
WEB www.nexormedical.com