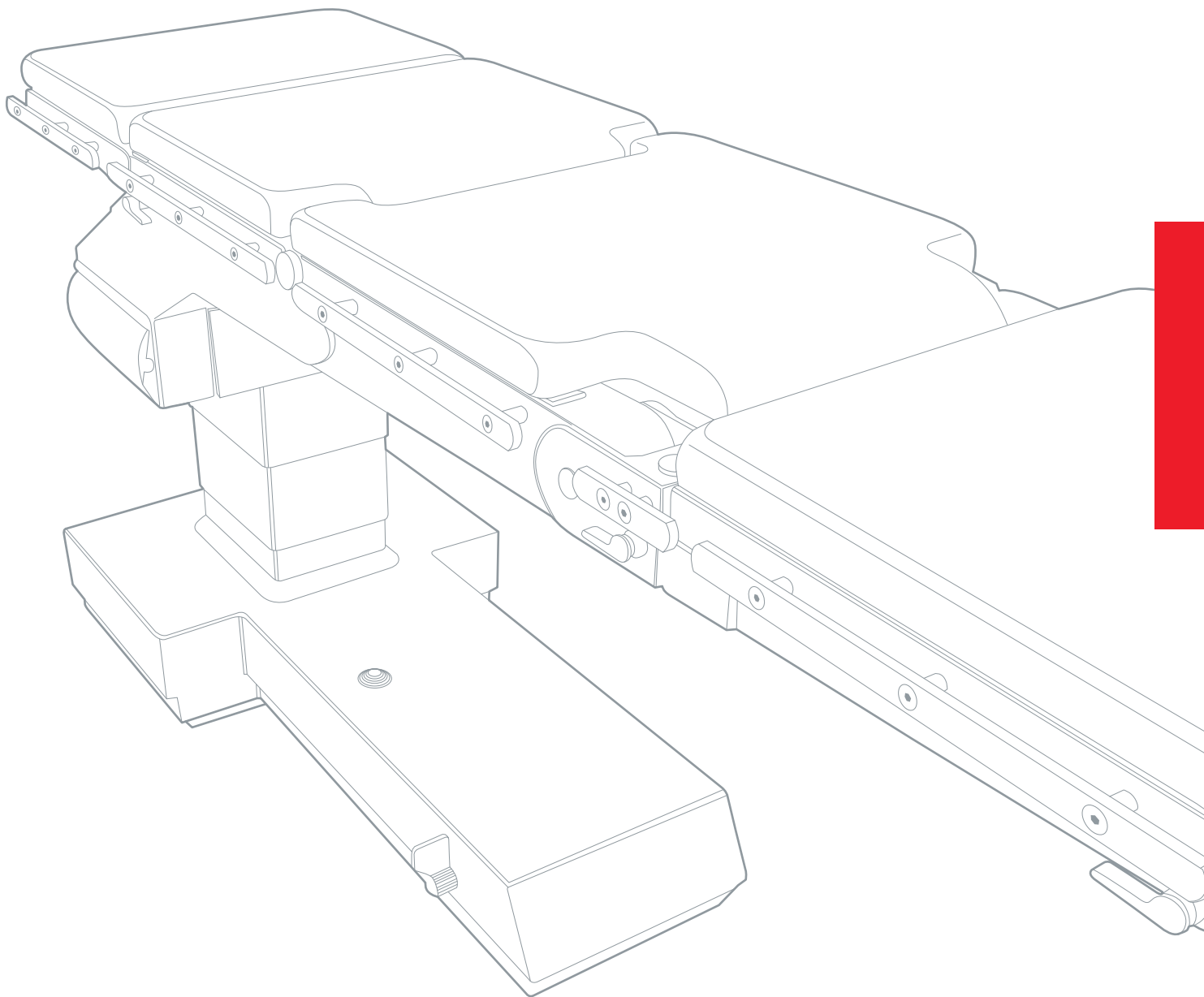


Schaerer AXIS

500/600/700



MOBILE OPERATING TABLES WITH MOST CANTILEVERED COLUMN FOR ALL SURGICAL APPLICATIONS



Unique benefits of AXIS table



Highest capacity for cantilevered column table

Highest weight capacity for a cantilevered column table. (350 kg/220 kg) means more safety for all kind of patient positions, all kind of operations, all surgical disciplines and a much more stable table.

Highest grade stainless steel table

Full Stainless steel without rubber cover on the column makes the table ideal from hygienic perspective.

Largest X-ray window in the market

Due to its very cantilevered column design, highest X-ray window in market. No need for sliding! Copied often – never reached!

Highest Durability of hand control

Hand control design with several functions and LCD screen. Automatic system check show failures for first level service information without delay. Programming features, different language options, adjust “Level” position, additional check for connections.

Highest safety features

Schaerer AXIS 500-700 is additionally equipped with a second built-in panel controlled an independent circuit. If in an emergency situation the main system fails, the operating table can be controlled with the emergency panel.

Highest patient comfort

Our viscoelastic pads are electric conductive, silicon and phthalate-free, 69 mm high, Velcro free, Ultrasonic welded seams. Easy removable and attachable. Appropriate for long operations and heavy weight patients.

Highest flexibility

AXIS is offered in different variations to fully comply with user’s needs.

Highest quality

Swiss precision wherever you operate since 1892. Manufactured in Switzerland with design and engineering of highest standards. More than 100 years of experience in design, development and manufacturing surgical tables.

Highest mobility and steerability

With two unique, easy to use and fast foot switchers for lock/unlock and one for direction control.

Mobile and universal operating tables

The proven standard for all surgical disciplines

The **Schaerer AXIS 500-700** model range is the most successful product line in over 125 years of Schaerer Medical's history.

Every day several thousand Schaerer AXIS operating tables are used reliably all over the world, supporting your work in the operating theatre.

You will receive an operating table that has already proven its capabilities thousands of times and even



MAXIMUM CANTILEVERED COLUMN

Maximum access for the surgeon, nurses and technicians without additional longitudinal shifting. Table top area extends beyond the column up to 1450 mm **and X-ray transparent table top area (up to 1900x370 mm)**.

MAXIMUM ERGONOMY

The small T-shape base design provides the most ergonomic and easy access for the surgeons.

MAXIMUM STABILITY

The use of high quality Swiss materials and components ensures strength and a long service life. **220 kg/485 lbs all position dynamic weight capacity. Patient weight up to 350 kg / 771 lbs.**

MAXIMUM SAFETY

Only Schaerer operating tables have two independent motor pump systems that can be powered by batteries for several operating days.

today is one of the most used tables in the world because of its **unique cantilevered column**.

The proven reliability of the Schaerer AXIS 500-700 series, associated with their outstanding flexibility and their uniquely functional design, are good reasons for many hospitals around the globe to opt for a Schaerer AXIS table time and time again.



Hand control: ergonomically shaped, clearly arranged keypad and LCD display of all important functions.



Emergency operating panel: the second control system can be activated through the integrated emergency operating panel.

AXIS table lines



Schaerer AXIS 500

The universal table for all surgical disciplines with one electro-hydraulically driven table top movement for the seat plate. Removable, two-part seat plate bars. The unique design of the AXIS 500 provides the entire surgical team with enhanced access to the patient during urological, gynecological, obstetric, Neuro/Spine and general surgery procedures. Manually adjustable head and leg plates supported by gas pressure springs. Universal table for all accessories, including extension devices OTZ, MTS, MIS, Carbonplate and Carbon Spine Frame. **X-ray transparency 1450 mm.**



Schaerer AXIS 600

The comfort table for General, Gyn/Uro, Neuro, ENT, Ophthalmology with two electro-hydraulically driven table top movements for seat plate and leg plates. Manually adjustable head plate with gas pressure spring. The unique cantilevered design of the AXIS 600 offers remarkable imaging access while still allowing for a wide variety of surgical procedures. Accessory package can be selected to tailor the table for many surgical procedures. Ideal for gynaecology, urology and neurosurgery. **X-ray transparency 1450 mm.**



Schaerer AXIS 700

The ortho-trauma and spine table with one electro-hydraulically driven table top movement. Specially for orthopaedic, spine and trauma accessories (Extension devices OTZ, MTS, MIS, Carbonplate and Carbon Spine Frame). AXIS 700 is a AXIS 500 but without seat plate. This means you save the money of the seat plate if you use OTZ, MTS, CSF etc.

Plates for head and leg section



All models can be optionally equipped with the illustrated head and leg plates.



90943

Seat bar, short for Schaerer AXIS 500/700
With side rails 25×10 mm
With pad 69 mm. Dimensions pad:
220×520×69 mm. For optimising seat plate
length for lithotomy positions.



91490

Head rest standard for Schaerer AXIS 400-700
With side rails 25×10 mm.
Tilting up and down. With pad 69 mm.
Dimensions pad: 380×520×69 mm.
Continuous adjustment with gas-lift spring
assistance.



91491

Head rest rigid for Schaerer AXIS 400-700
With side rails 25×10 mm.
With pad 69 mm. Dimensions pad:
380×520×69 mm. Equipped with hexagonal
adapter for attaching hexagonal head rest hold-
ers 90040 or 90041 with adapter 90456.



90951

Intermediate plate for Schaerer AXIS
With side rails 25×10 mm. Without cut-out.
90952
Intermediate plate for Schaerer AXIS
With side rails 25×10 mm. With cut-out.
For gynaecological interventions.
Optimum leg freedom. With pad 69 mm.
Dimensions: 375×520×69 mm.



91495

Leg plates 2-part for Schaerer AXIS 400-700
With side rails 25×10 mm.
Standard leg plate consisting of 2 small and 2
large leg plate pads (69 mm). Tilting up and
down with gas-lift spring assistance.
Swivelling outwards.
Dimensions: 725×250×170 mm.



91496

Leg plates 2-part for Schaerer AXIS 400-700
With side rails 25×10 mm.
Leg plates, consisting of 2 small and 2 large
leg plate pads (69 mm). Small pads in trian-
gular shape. Tilting up and down with gas-lift
spring assistance. Swivelling outwards.
Dimensions: 725×250×170 mm.



90914

Leg plate one-piece for Schaerer AXIS 400-700
With side rails 25×10 mm.
With pad 69 mm. Dimensions:
690×610×125 mm. Tilting up and
down with gas-lift spring assistance.
Optimum access for the surgeon during
lithotomy positions.

Positions

Basic positions



Maximum free space for C-arm utilization in the basic position



Maximum free space for C-arm utilization in the reverse position. Reverse position (maximum position) provides 1900x370 mm X-ray transparent

General Surgery



Cholecystectomy positioning table top from the column 1600 mm, provides 1450 mm X-ray transparent (Schaerer AXIS 500/600)



Positioning for hand surgery with hand surgery table without floor support



Rectum positioning

Gynaecology / Urology



Laparoscopic interventions with stirrups and intermediate plate



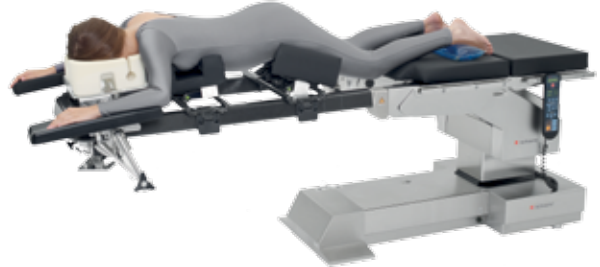
Gynaecological and urological intervention with leg plates «LEG-TOP» for flat and lithotomic positions



Lateral positioning for nephrectomy and posterio-lateral spinal column surgery

Neuro and Spine Surgery

Carbon Spine Frame "CSF"



Spine intervention with four post positioning system

Bow Spine Frame



Spine intervention in prone position with Bow Spine Frame (Wilson Frame)

NEURO Headrest System



Aluminium or radiolucent headrest system with 3-pin rigid cranial fixation. For supine, prone, lateral and sitting positions. Offers excellent stability and flexibility. With adapter for DORO or Mayfield systems.

Modular Traction System "MTS"
One surgical table – Multiple disciplines



General Surgery



Traction for Femur – 1 Leg



Traction for Femur – 2 Legs



Shoulder surgery



MTS Trolley



Traction for Tibia



MIS-bar – direct anterior approach (DAA) and hip arthroscopies

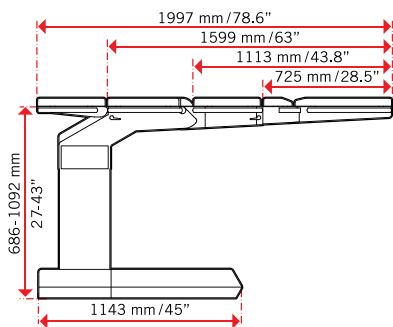
APPLICATIONS

Accessories for MTS Modular Traction System

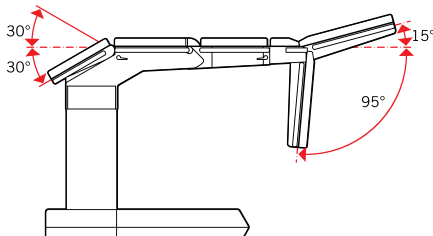


1	Traction bar Metal	90981	21	ETS Counter Traction Unit for lateral position	92611
2	Telescopic support	90193	22	Head Pad for MTS (10 pieces)	A-90023
3	Traction bar ADVANCED	90974	23	Adapter for lower leg surgery	90896
4	Multiclamp slide	90928	24	Central rail adapter	90780
5	Supplement bar with plate, right, AXIS 500/700	90988	25	Traction bar short ADVANCED (without picture)	90923
6	Seat Plate ADVANCED, AXIS 500/700	90962	26	Extension bow holder for Kirschner-wire (without picture)	90994
7	Supplement bar with plate, left, AXIS 500/700	90989	27	Extension shoe MTS, white (1 piece)	90763
8	Multiclamp	90978	28	Rotex carbon shoe	RO.0162.2018
9	Additional joint	90983	29	Footplate ZSB, right	2031113
10	Connection bar	90975	30	Footplate ZSB, left	2031470
11	Bar MIS (1 piece)	90758	31	Radial setting clamp with star screw	90897
12	Offset holder	90958	32	Holder for knee rest	90759
13	Gyn. cut-out plate, AXIS 500/700	90959	33	Traction unit	90980
14	Traction unit, vertical shift	90895	34	Foot Plate	92699
15	Perineal rod for arthroscopy	90990	35	Leg holder "Goepel" (1 piece) (without picture)	90330
16	Extension plate, AXIS 500/700	90948	36	Radial setting clamp with fixing screw, rotating (without picture)	90506
17	Perineal rod	90971	37	Stability support with lock. lever for Schaerer AXIS, removable (without picture)	90776
18	Lateral extension plate for head rest system, left, AXIS 500/700	90925	38	Intubation plate (without picture)	90927
19	Head rest system, AXIS 500/700	90762			
20	Lateral extension plate for head rest system, right, AXIS 500/700	90924			

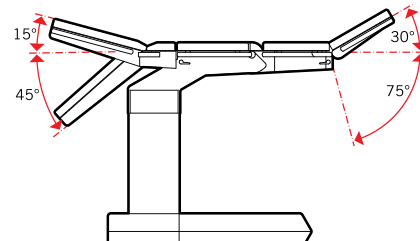
Product dimensions



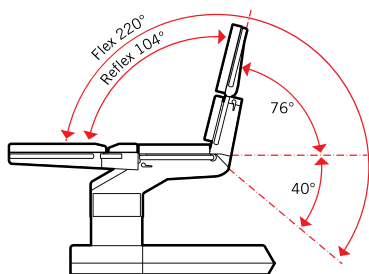
Schaerer AXIS 500
 Dimension



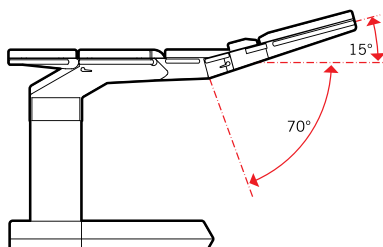
Schaerer AXIS 500-600
 Standard position



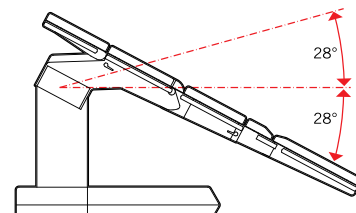
Schaerer AXIS 500-600
 Reverse position



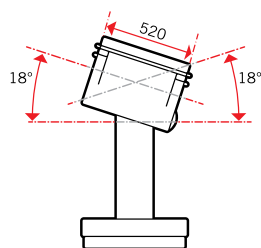
Schaerer AXIS 500-700
 Flex/Reflex-Position



Schaerer AXIS 600
 Leg plate



Schaerer AXIS 500-700
 Trendelenburg/Reverse-Trendelenburg



Schaerer AXIS 500-700
 Lateral tilt left/right

DIMENSION & DATA

© Schaerer Medical AG 01 / 2021 REF: 98002 Index: D

Technical data

Technical data:

Electrical mains connection 100-120/200-240 V AC, 50-60 HZ
 Control voltage 24 V DC
 Battery charging time: 6 – 8 hours
 Battery capacity: depending on the operations up to 5 days
 4 maintenance-free special batteries with charge indication on the display of the hand control
 7 section table top
 Side rail dimensions 25x10 mm or 30x10 mm
 Weight: 300 kg/661.4 lbs

Electro-hydraulic:

Height adjustment up/down
 Trendelenburg/Reverse Trendelenburg
 Lateral tilt left/right
 Seat plate up/down
 Leg plate up/down
 (Schaerer AXIS 600 Basic-Position)
 Head plate up/down
 (Schaerer AXIS 600 Reverse-Position)
 Flex/Reflex
 Zero position

Manual:

Head plate up/down
 Leg plate up/down
 Leg plates swivelling out 90°

Due to non avoidable technical tolerances all numbers can differ +/- 3-5% Subject to modifications

according to MDD 93/42/EEC

OUR PRODUCT LINE-UP

Schaerer ARCUS 501-701

The heavy weight high end table

Schaerer AXIS 500-700

The most cantilevered high end table

Schaerer AXIS 350

The mobile versatility mid range table

Schaerer EOS 120,130,150

The mobile eco line table

Schaerer OTZ Traction System

The standard Orthopaedic and Trauma system

Schaerer MTS Modular Traction System

The advanced Orthopaedic and Trauma system

Schaerer Accessories

Versatile high-tech solutions for all surgical disciplines



INNOVATIONS

Design innovation: Copied often – never reached

Material innovation: Carbon accessories

Engineering innovation: Best-in-class features and versatility

Ergonomic innovation: Tables and accessories designed for ease of use

Safety innovation: Patient safety and patient comfort features

Schaerer Medical AG

Erlenauweg 17

CH-3110 Münsingen

Tel. +41 31 720 22 00

Fax +41 31 720 22 30

info@schaerermedical.ch

www.schaerermedical.ch

Schaerer Medical USA Inc.

675 Wilmer Ave

Cincinnati, OH 45226

Tel. +1 513 561 2241

Fax +1 513 561 0195

info@schaerermedicalusa.ch

www.schaerermedicalusa.ch