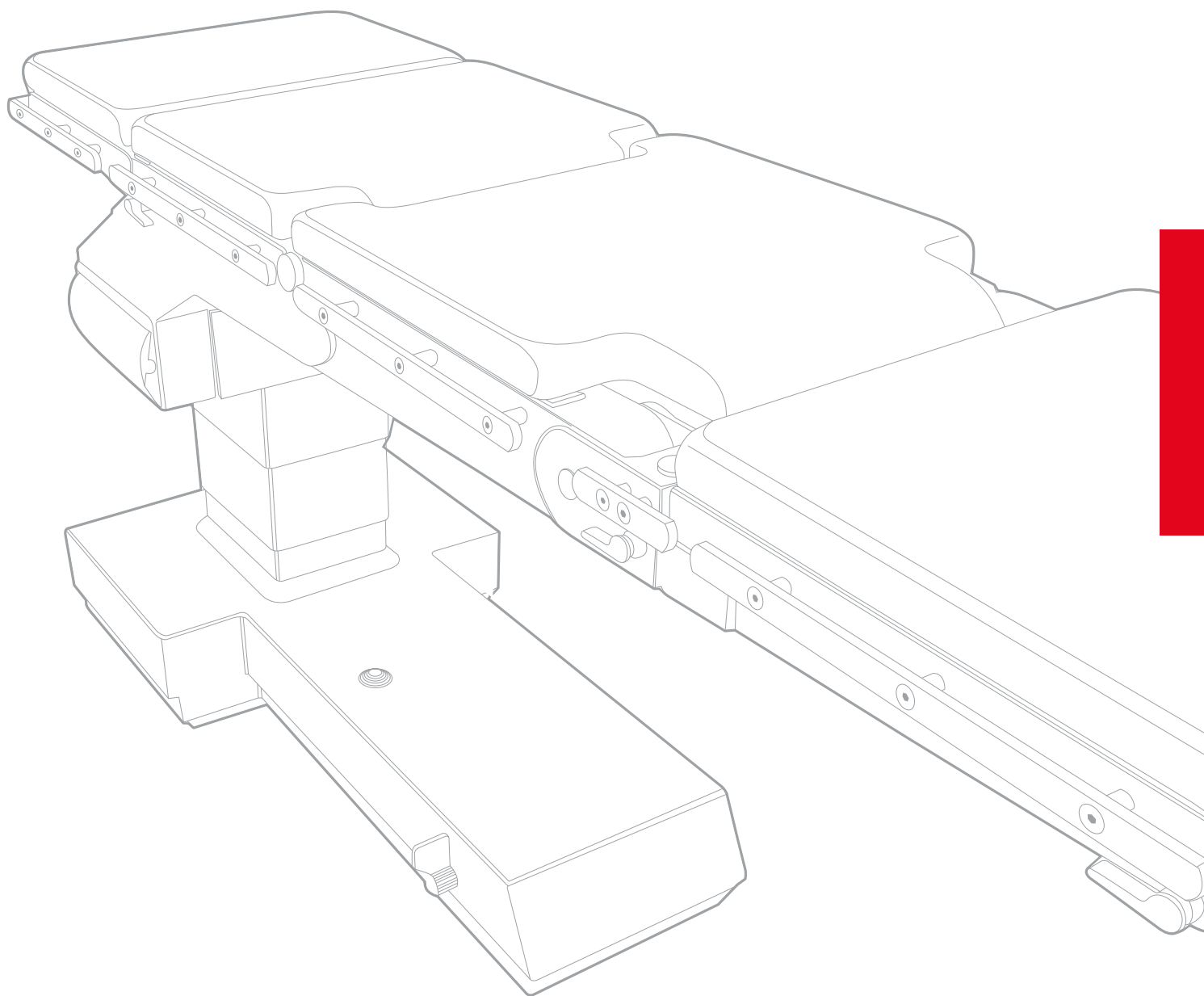


schaerer[®] axis

400/500/600/700/800



MOBILE OPERATING TABLES
FOR ALL SURGICAL APPLICATIONS



Medical products and solutions made in Switzerland

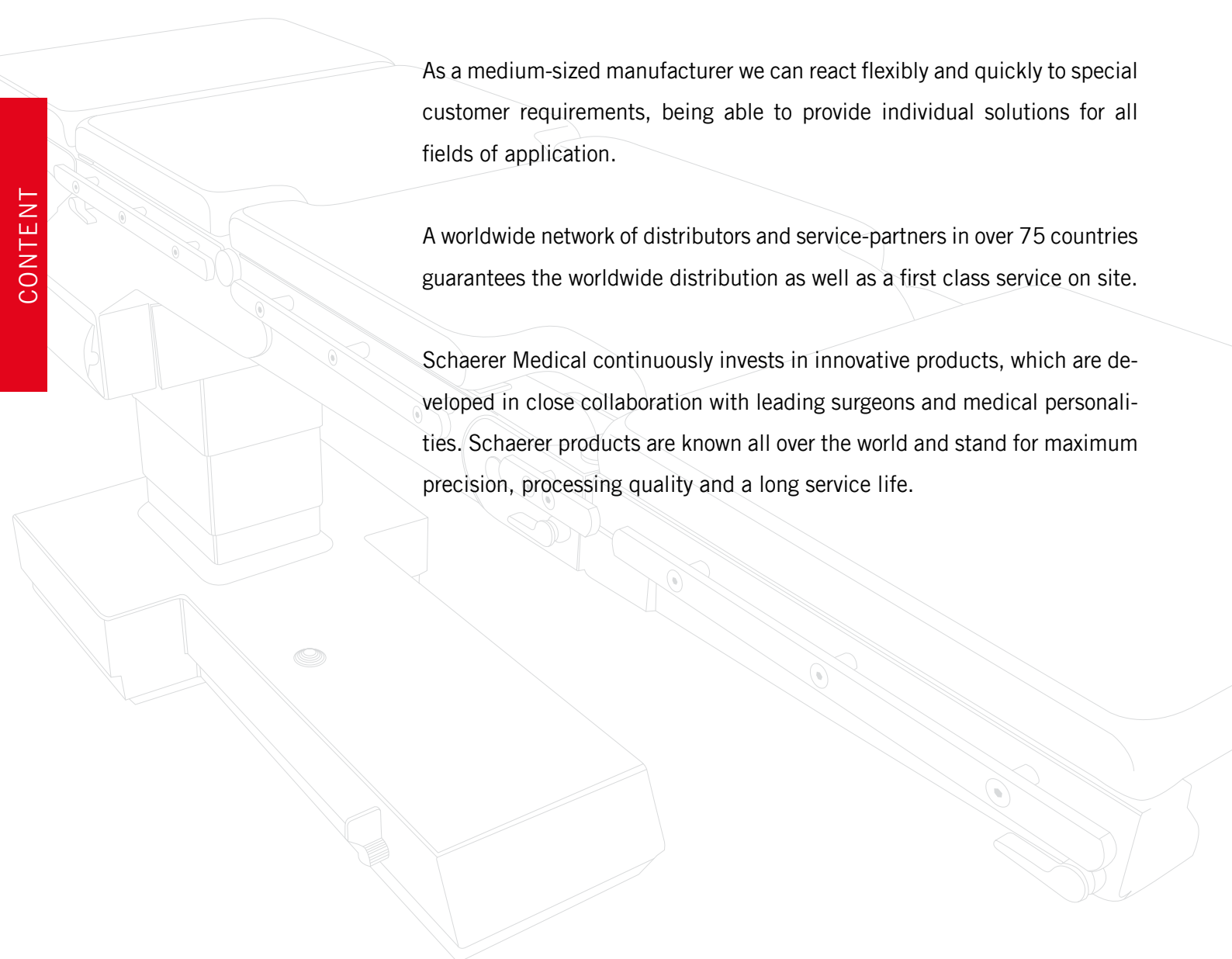
Schaerer Medical AG as a traditional Swiss company is a worldwide leading manufacturer of mobile operating tables, medical accessories and custom made accessories for all surgical disciplines and fields of application.

Since 1912 Schaerer Medical has been developing high-grade operation tables, manufacturing them exclusively in Switzerland.

As a medium-sized manufacturer we can react flexibly and quickly to special customer requirements, being able to provide individual solutions for all fields of application.

A worldwide network of distributors and service-partners in over 75 countries guarantees the worldwide distribution as well as a first class service on site.

Schaerer Medical continuously invests in innovative products, which are developed in close collaboration with leading surgeons and medical personalities. Schaerer products are known all over the world and stand for maximum precision, processing quality and a long service life.



CONTENT

schaerer® axis

The **schaerer® axis 400-800** model range is the most successful product line in over 120 years of Schaerer Medical's history.

Every day several thousand schaerer® axis operating tables are used reliably all over the world, supporting your work in the operating theatre.

You will receive an operating table that has already proved its capabilities thousands of times and even today is one of the most used tables in the world because of its **unique eccentric column**.

The proven reliability of the schaerer® axis 400-800 series, associated with their outstanding flexibility and their uniquely functional design, are good reasons for many hospitals around the globe to opt for a schaerer® axis table time and time again.



schaerer® axis

Mobile operating tables and operating systems for all surgical disciplines and applications

MAXIMUM ECCENTRIC COLUMN

Maximum access for the surgeon, nurses and technicians without additional longitudinal shifting even where space is limited. Table top area offside the column up to 1990 mm and **X-ray transparent table top area (up to 1900 x 370 mm).**

NEW: VISCO-ELASTIC PADS

New durable oil free visco elastic padding (69 mm) for all table top sections and most of the accessories. Reduces pressure up to 50 % versus standard foam for perfect comfort and safety.

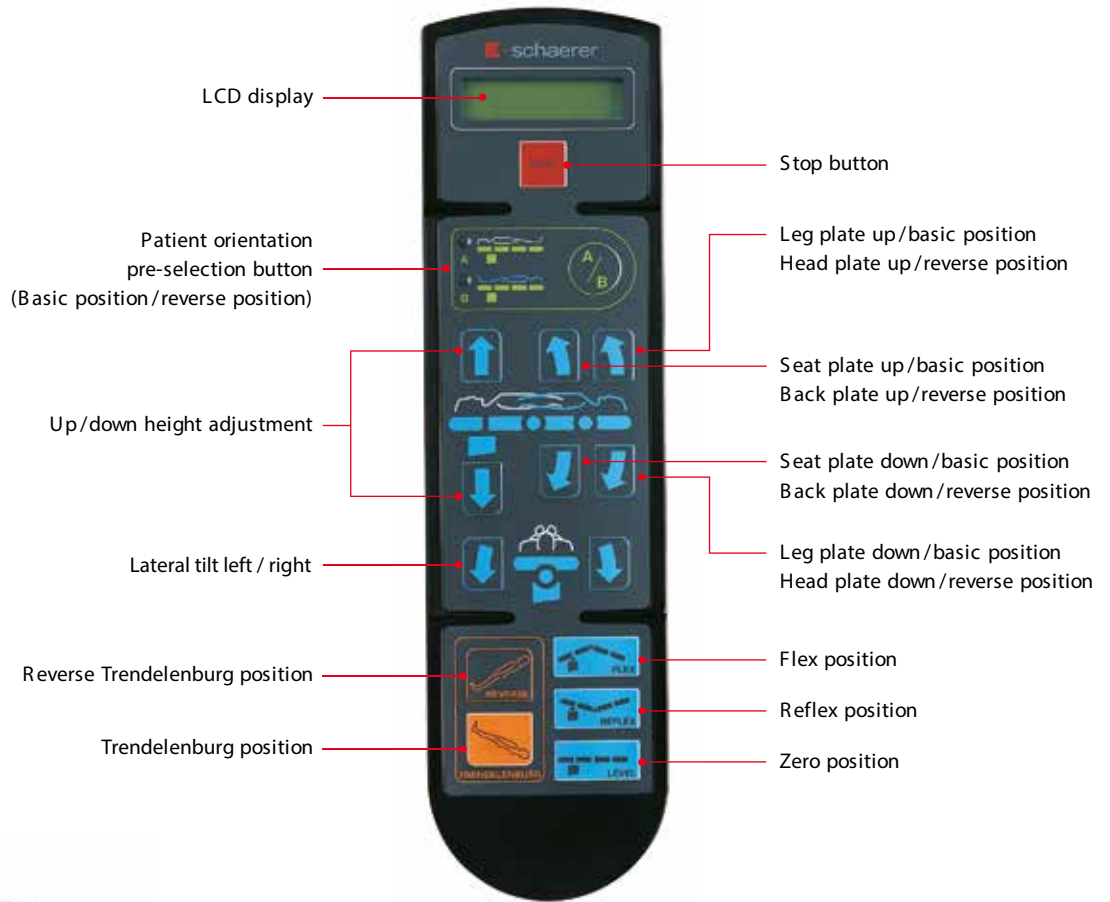
MAXIMUM STABILITY

The use of high quality Swiss materials and components ensures strength and a long service life. **220 kg/485 lbs all position dynamic weight capacity.**

MAXIMUM SAFETY

Only Schaerer operating tables have two independent motor pump systems that can work powered by batteries for several operating days.





Hand control: ergonomically shaped, clearly arranged keypad and LCD display of all important functions.



Emergency operating panel: the second control system can be activated through the integrated emergency operating panel.

schaerer® axis

Mobile operating tables and operating systems for all surgical disciplines and applications

MODELS



schaerer® axis 400

The basic table with one electro-hydraulically driven table top movement for the seat plate. Axis in front of the column. One-part, non-removable seat plate bars. Manually adjustable head and leg plates supported by gas pressure springs.

X-ray transparency 1450 mm.



schaerer® axis 500

The universal table with one electro-hydraulically driven table top movement for the seat plate. Removable, two-part seat plate bars for fitting orthopaedic accessories in the basic or reverse position (beach chair). Manually adjustable head and leg plates supported by gas pressure springs. Universal for all accessories, including extension devices and the schaeerer® MIS-Extension. **X-ray transparency 1450 mm.**



schaerer® axis 600

The comfort table with two electro-hydraulically driven table top movements for seat plate and leg plates. Manually adjustable head plate with gas pressure spring. Ideal for gynaecology, urology and neurosurgery. **X-ray transparency 1450 mm.**

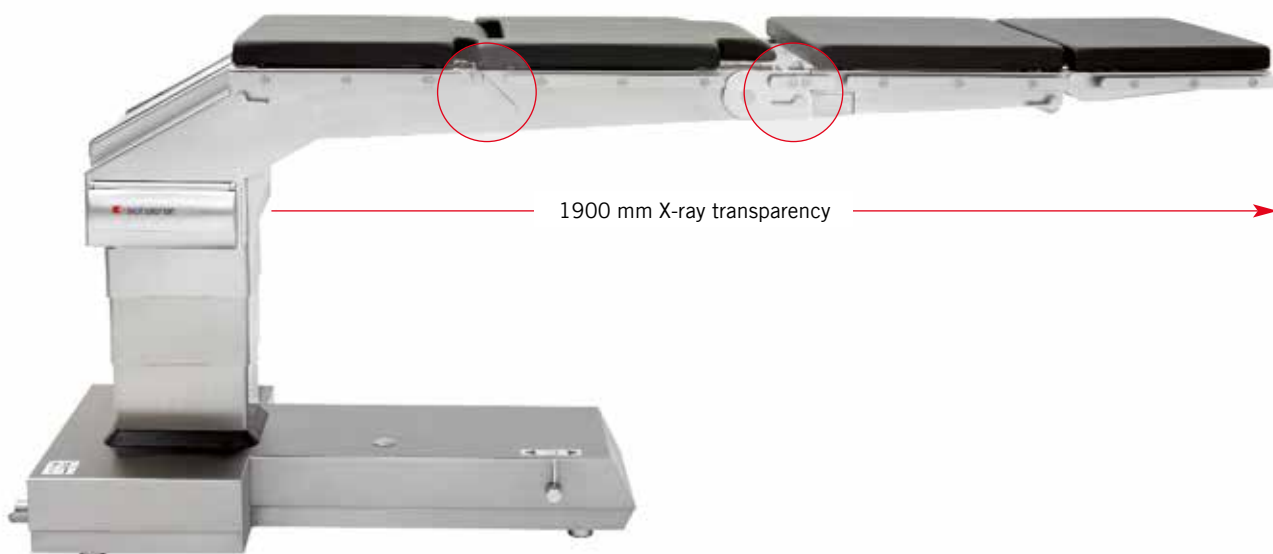


schaerer® axis 700

The ortho-trauma table with one electro-hydraulically driven table top movement. Specially for orthopaedic and trauma accessories (Extension devices, schaerer® MIS-Extension).
schaerer® axis 500 basic unit (without seat and leg plates).

schaerer® axis 800

The premium table with a 1990 mm table top from the column, for maximum accessibility in basic and reverse position. 2 electro-hydraulically driven table top axes for seat plate and leg plate. Reverse position: automatically adjustable back or head plate. Extended movement range of the relevant plate 85°/105°. Adjustable accessories such as leg holder and shoulder arthroscopy plate. Best for neurosurgery and ENT operations through the unobstructed access to the operating field.



Product characteristics

CHARACTERISTICS

All models can be optionally equipped with the illustrated head and leg plates.



91490
Head rest standard for schaeerer® axis 400-700
 With side rails 25 x 10 mm.
91480
Head rest standard for schaeerer® axis 400-700
 With side rails 30 x 10 mm.

Tilting up and down. With pad 69 mm.
 Dimensions pad: 380 x 520 x 69 mm.
 Continuous adjustment with gas-lift spring assistance.



91491
Head rest rigid for schaeerer® axis 400-700
 With side rails 25 x 10 mm.

91481
Head rest rigid for schaeerer® axis 400-700
 With side rails 30 x 10 mm.

With pad 69 mm. Dimensions pad: 380 x 520 x 69 mm. Equipped with hexagonal adapter for attaching hexagonal head rest holders 90040 or 90041 with adapter 90456.



90900 **Head rest rigid, short version for schaeerer® axis 400-700**
 With side rails 25 x 10 mm.

90901 **Head rest rigid, short version for schaeerer® axis 400-700**
 With side rails 30 x 10 mm.

With pad 69 mm. Dimensions pad: 200 x 520 x 69 mm. Equipped with hexagonal adapter for attaching hexagonal head rest holders 90040 or 90041 with adapter 90456.

Product characteristics

All models can be optionally equipped with the illustrated head and leg plates.



91495
Leg plates 2-part for schaerer® axis 400-700
 With side rails 25x10 mm.

91485
Leg plates 2-part for schaerer® axis 400-700
 With side rails 30x10 mm.
 Standard leg plate consisting of 2 small and 2 large leg plate pads (69 mm). Tilting up and down with gas-lift spring assistance. Swivelling outwards.
 Dimensions: 725x250x170 mm.



91496
Leg plates 2-part for schaerer® axis 400-700
 With side rails 25x10 mm.

91486
Leg plates 2-part for schaerer® axis 400-700
 With side rails 30x10 mm.
 Leg plates, consisting of 2 small and 2 large leg plate pads (69 mm). Small pads in triangular shape. Tilting up and down with gas-lift spring assistance. Swivelling outwards.
 Dimensions: 725x250x170 mm.



90917
Leg plates simple, 2-part for schaerer® axis
 With side rails 25x10 mm.

90918
Leg plates simple, 2-part for schaerer® axis
 With side rails 30x10 mm.
 Consisting of 2 leg plate pads (69 mm). Not swivable.
 Dimensions: 720 x 250 x 130 mm.
 Manually tilting up and down.
 Lockable with denticulated clamp joint.

Maximum free space for C-arm utilisation
in the basic position



Basic position

Maximum free space for C-arm utilisation
in the reverse position



Reverse position (maximum position)
thereof 1900 x 370 mm X-ray transparent
1990 mm table top off the column with schaefer® axis 800

General Surgery

APPLICATIONS



Cholecystectomy positioning
table top from the column 1600 mm, thereof 1450 mm X-ray transparent
(schaerer® axis 400/500/600)



Positioning for hand surgery with hand surgery
table without floor support



Rectum positioning

Gynaecology / Urology



Laparoscopic interventions with «Great white platinum stirrups» and intermediate plate.



Gynaecological and urological intervention with leg plates «LEG-TOP» for flat and lithotomic positions



Lateral positioning for nephrectomy and postero-lateral spinal column surgery

Neuro Surgery

APPLICATIONS



Spine intervention in prone position with schaerer® Carbon Spine Frame (CSF)



Intervention in supine position in reverse position with original DORO® accessories (aluminium) and universal adapter



Spine intervention in prone position with Schurer Spine Frame.

Shoulder Surgery



Intervention on the shoulder with shoulder arthroscopy plate



Intervention on the shoulder in reverse position
schaerer® axis 500/700 with orthopaedic seat plate



Intervention in the head and cervical area in reverse position with
shoulder arthroscopy plate and facial/occipital head rest

Orthopaedic and Traumatological Surgery
schaerer® MIS-Extension



schaerer® MIS-Extension - orthopaedic-traumatologic support and positioning system with extension device offering full freedom of movement for the lower extremity. Can be operated with one hand only. Specially developed for minimally invasive surgery and hip arthroscopy with perioperative positioning and gamma-nailing.

APPLICATIONS

Orthopaedic and Traumatological Surgery **schaerer® MIS-Extension**



The trolley assures the correct storage of the system and of the necessary accessories. The **schaerer® MIS-Extension** can easily be attached to the operating tables **schaerer® axis 500/700** (or **schaerer® arcus 501/701**) by using the trolley.

Orthopaedic and Traumatological Surgery



IM-nailing of the femur in lateral position



IM tibia nailing



Femur neck nailing with orthopaedic accessories, leg plate with extension

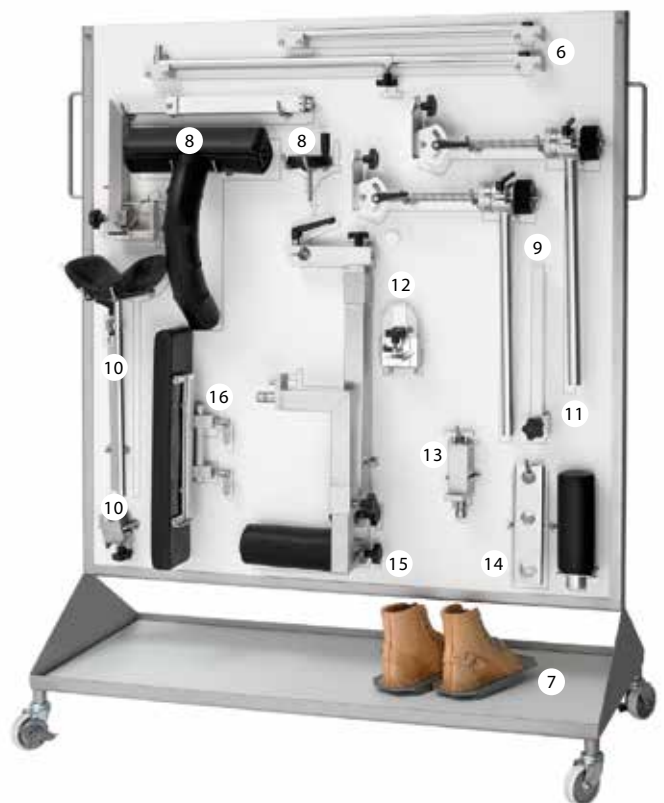
APPLICATIONS

Accessories for Orthopaedic and Traumatological Surgery

The clearly arranged accessories enable interventions for thigh, lower leg and intra-medullary nailing.

A special orthopaedic-traumatological operating table is not necessary.

Attachable to the models schaeerer® axis 500/700 (and schaeerer® arcus 501/701).



1 Traction bars, for femur, metal (1 pair) or: Traction bar, for femur, metal (1 piece) or: Traction bar ADVANCED, for femur, carbon-fibre with: Multiple fixing clamp for traction bar ADVANCED	90183 90182 90974 90978
2 Seat plate OTZ for axis with pad 51 mm	90919
3 Leg plates OTZ (1 pair) for side rails 25 x 10 mm for side rails 30 x 10 mm	90410 90409
4 Leg holder «Goepel» with pad and Velcro fastener Radial setting clamp	90330 90506
5 Accessories trolley OTZ for side rails 25 x 10 mm for side rails 30 x 10 mm	90429 90430
6 Telescopic supports	90193
7 Extension shoes (1 pair)	90191
8 Counter-traction holder with pad	90187

9 Traction unit OTZ (order 2 pieces)	90184
10 Leg holder OTZ with pad	90199
11 Side rail extension for side rails 25 x 10 mm for side rails 30 x 10 mm	81696 81695
12 Horse-shoe holder «Kirschner»	90198
13 Holder for leg holder «Goepel» for side rails 25 x 10 mm for side rails 30 x 10 mm	90190 90189
14 Perineal rod with pad Holder /lateral	90195 90194
15 Traction bar, for tibia with pad	90186
16 Table extension for axis with pad 69 mm	90939
17 Packaging for OTZ accessories trolley (without picture)	91289
18 Adapter for extension shoe MIS (without picture)	90196

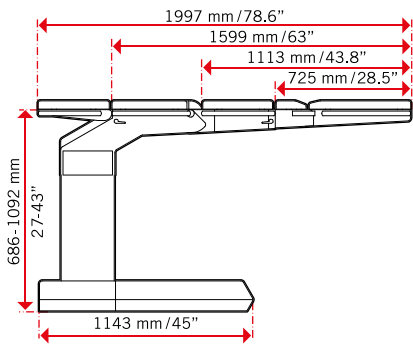
Product characteristics

schaerer® axis	400	500	600	700	800	unit
Table top outside of the column/thereof	1600/1450	1600/1450	1600/1450	—	1990/1900	mm
X-ray transparent	63.0/57.1	63.0/57.1	63.0/57.1	—	78.3/74.8	inch
Weight without head and leg plates	280/617	284/626	292/642	271/596	304/669	kg/lbs
Length without head and leg plates	865/34.1	865/34.1	865/34.1	485/19.1	1030/40.6	mm/inch
Length with head and leg plates	1997/78.6	1997/78.6	1997/78.6	—	1960/77.2	mm/inch
Width of table top	520/20.5	520/20.5	520/20.5	520/20.5	520/20.5	mm/inch
Total width (with side rails)	580/22.8	580/22.8	580/22.8	580/22.8	580/22.8	mm/inch
Maximum patient weight (all positions)**	220/485	220/485	220/485	220/485	180/397	kg/lbs
Maximum patient weight (static)*	350/771	350/771	350/771	350/771	350/771	kg/lbs
Height adjustment without pad (locked table)	686-1092 27-43	686-1092 27-43	686-1092 27-43	686-1092 27-43	689-1095 27.12-43.11	mm inch
Trendelenburg/Reverse Trendelenburg	28/28	28/28	28/28	28/28	28/28	degree
Lateral tilting right/left	18	18	18	18	18	degree
Seat plate up	76	76	76	76	28	degree
Seat plate down	40	40	40	40	40	degree
Motorised leg plate up (basis position)	—	—	15	—	80	degree
Motorised leg plate down (basis position)	—	—	70	—	105	degree

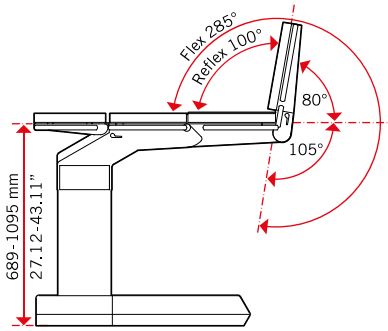
* all positions, dynamic mode

** standard configuration, static mode, lowest position

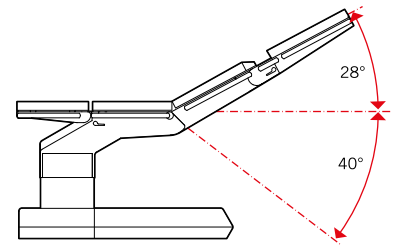
Product dimensions



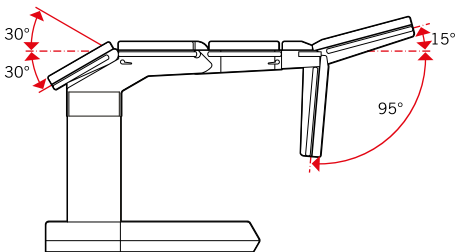
schaeerer® axis 400/500
Dimension



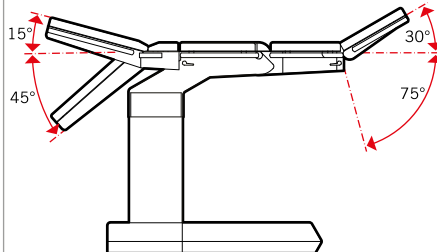
schaeerer® axis 800
Flex/Reflex-Position



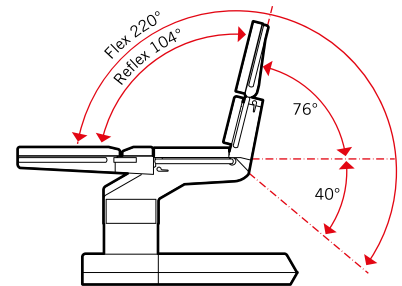
schaeerer® axis 800
Seat plate



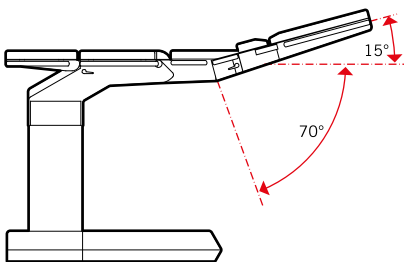
schaeerer® axis 400 - 600
Standard position



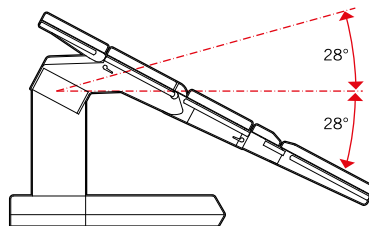
schaeerer® axis 400 - 600
Reverse position



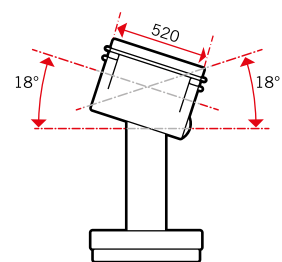
schaeerer® axis 400 - 700
Flex/Reflex-Position



schaeerer® axis 600
Leg plate



schaeerer® axis 400 - 800
Trendelenburg/Reverse-Trendelenburg



schaeerer® axis 400 - 800
Lateral tilt left/right

Schaerer Medical AG
Erlenauweg 17
CH-3110 Münsingen
Tel. +41 31 720 22 00
Fax +41 31 720 22 30
info@schaerermedical.ch
www.schaerermedical.ch

Schaerer Medical USA Inc.
675 Wilmer Ave
Cincinatti, OH 45226
Tel. +1 513 561 2241
Fax +1 513 561 0195
info@schaerermedicalusa.ch
www.schaerermedicalusa.ch