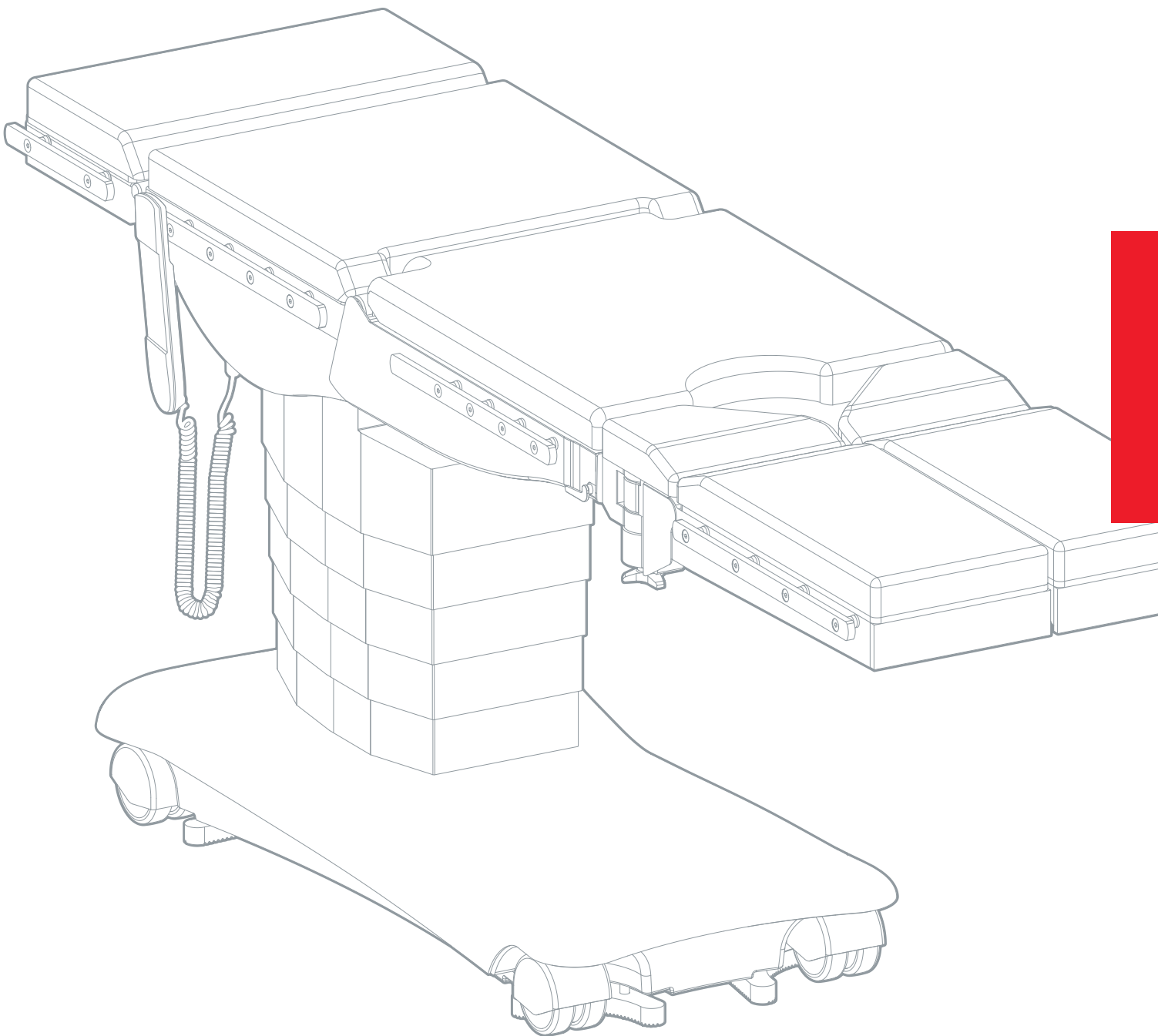


# Schaerer ARCUS

501/601/701



MOBILE OPERATING TABLES FOR ALL WEIGHT  
CATEGORIES AND SURGICAL APPLICATIONS



## Unique benefits of Arcus table



### Maximum capacity

High patient weight (500 kg/360 kg) means more safety for all kind of patient positions, all kind of operations and all surgical disciplines without any limitation due to high weight capacity (compared with tables with sliding table top).

### Maximum stability

Self-compensating dynamic floor lock system. The dynamic hydraulic floor lock system corrects uneven floors.

### Maximum height adjustment of 605 mm

Only a large column range from very low to very high with an advanced quality telescopic column design is able to move safe and stable from very low (545 mm) to very high (1150 mm (without pads)).

### Maximum accessibility

Maximum free area because of cantilevered column design. Even in standard configuration the ARCUS table has a huge x-ray window of 1240 mm.

### Maximum safety / “airplane” safety standards in Arcus operating table

Arcus 501-701 tables are the only tables available with a redundant backup system. Consisting out of a complete 2<sup>nd</sup> system including a separate power supply, batteries, control devices and motor/pump units.

### Maximum patient comfort

High quality mattress for long operations and heavy weight patients. Also for normal size/weight patients the quality of the pad is of importance and not primarily the thickness.

### Maximum flexibility

Arcus is a universal table, which can be used for all surgical disciplines. With all the unique features surgeons can work and do all treatments with no limitation.

### Maximum quality Swiss precision wherever you operate since 1892

Manufactured in Switzerland with design and engineering on highest standards. Due to high quality, manufacturing product failure rate is low. Our products are manufactured in accordance with certified quality standards. ISO 13485:2016.

### Slow mode function

Accurate and smooth (slow mode) motion for safe movements during surgery.

### Emergency Panel on the base

Sometimes there is no good access to the column of the table and it is easier access to the base of the table (head side).

### Manoeuvrability

5<sup>th</sup> wheel has advantages to manoeuvre the table stable and safe and turn it on the spot in the OR-room.

## Arcus table lines



### Schaerer ARCUS 501

**The universal table for all surgical disciplines** with one electro-hydraulically driven table top movement for the seat plate. Removable, two-part seat plate bars. The unique design of the Arcus 501 provides the entire surgical team with enhanced access to the patient during urological, gynecological, obstetric, Neuro/Spine and general surgery procedures. Manually adjustable head and leg plates supported by gas pressure springs. Universal table for all accessories, including extension devices OTZ, MTS, MIS, Carbonplate and Carbon Spine Frame. **X-ray transparency 1240 mm.**



### Schaerer ARCUS 601

**The comfort table for General, Gyn/Uro, Neuro, ENT, Ophthalmology** with two electro-hydraulically driven table top movements for seat plate and leg plates. Manually adjustable head plate with gas pressure spring. Ideal for gynaecology, urology and neurosurgery. **X-ray transparency 1240 mm.**



### Schaerer ARCUS 701

**The ortho-trauma and spine table** with one electro-hydraulically driven table top movement. Specially for orthopaedic, spine and trauma accessories (Extension devices, OTZ, MTS, Carbonplate and Carbon Spine Frame). Arcus 701 is a Arcus 501 but without seat plate. This means you save the money for the seat plate if you use OTZ, MTS, CSF etc.

## Plates for head and leg section



**92051**  
**Seat bar, short for Schaerer ARCUS**  
With side rails 25 x 10 mm  
With pad. Dimensions pad: 280×520×56 mm.  
For optimising seat plate length for lithotomy positions.



**92004**  
**Leg plate, light for Schaerer ARCUS**  
With cover (antistatic).  
Length: 850 mm. 20 kg patient weight capacity. For inducing anaesthesia.



**92053**  
**Leg plates 2-part for Schaerer ARCUS**  
With side rail 25×10 mm  
Standard leg plates, consisting of 2 small and 2 large leg plate pads.  
Tilting up and down with gas-lift spring assistance. Swivelling outwards 90°. Dimensions: 700×580×215 mm.



**92049**  
**Leg plate one-piece, rigid for Schaerer ARCUS**  
With side rails 25×10 mm  
With pad.  
Dimensions: 670×575×115 mm.



**92050**  
**Leg plate one-piece for Schaerer ARCUS**  
With side rails 25×10 mm  
With pad. Tilting up and down with gas-lift spring assistance.  
Dimensions: 695×620×150 mm.



**92210**  
**Head rest standard for Schaerer ARCUS**  
With side rails 25×10 mm  
With pad. Tilting up and down.  
Dimensions pad: 270×520×50 mm.  
Continuous adjustments with gas-lift spring assistance.



**92211**  
**Head rest double joint for Schaerer ARCUS**  
With side rails 25×10 mm  
With pad. Tilting up and down.  
Dimensions pad: 270×520×50 mm.  
Continuous adjustments with gas-lift spring assistance.



**92231**  
**Intermediate plate, long for Schaerer ARCUS**  
With side rails 25×10 mm  
Rigid version. With pad.  
Dimensions: 450×520×120 mm.



**92232**  
**Intermediate plate, short for Schaerer ARCUS**  
With side rails 25×10 mm  
Rigid version. With pad.  
Dimensions: 230×520×120 mm.

## Positions



Maximum free space for C-arm utilization in the basic position



Positioning for hand surgery with hand surgery plate without floor support



Reverse position with carbon plate for 1550 mm X-ray window (1350 mm 3D)



Gynaecological, urological and laparoscopic interventions with leg holders "Great white platinum", patient weight capacity 360 kg/800 lbs\*. Bariatric Nissen straps for thighs recommended.



Positioning for abdominal intervention, dynamic patient weight capacity 360 kg/800 lbs\*

\* all positions, dynamic mode



Lateral positioning for nephrectomy, XLIF, dynamic patient weight capacity 360 kg/800 lbs\*.

\* all positions, dynamic mode



Gynaecological and urological intervention with leg holders "Goepel" for flat and lithomic positions

## Neuro and Spine Surgery

### Carbon Spine Frame "CSF"



Spine intervention with four post positioning system

### Bow Spine Frame



Spinal intervention in prone position with Bow Spine Frame. Table top height 450 mm

### Neuro Headrest System



Aluminium or radiolucent headrest system with 3-pin rigid cranial fixation. For supine, prone, lateral and sitting positions. Offers excellent stability and flexibility. With adapter for DORO or Mayfield systems.

## Product characteristics

| <b>Schaerer ARCUS</b>                                                              | <b>501</b>                 | <b>601</b>                 | <b>701</b>                 | <b>unit</b> |
|------------------------------------------------------------------------------------|----------------------------|----------------------------|----------------------------|-------------|
| Table top outside of column                                                        | 1250/49.2                  | 1250/49.2                  | —                          | mm/inch     |
| Maximum patient weight*                                                            | 500/1100                   | 500/1100                   | 500/1100                   | kg/lbs      |
| Maximum patient weight all positions**                                             | 360/800                    | 360/800                    | 360/800                    | kg/lbs      |
| Height adjustment with patient weight up to 260 kg<br>(top edge pad, locked table) | 595 – 1200/<br>23.4 – 47.2 | 595 – 1200/<br>23.4 – 47.2 | 595 – 1200/<br>23.4 – 47.2 | mm/inch     |
| Height adjustment with patient weight over 260 kg<br>(top edge pad, locked table)  | 595 – 1000/<br>23.4 – 39.4 | 595 – 1000/<br>23.4 – 39.4 | 595 – 1000/<br>23.4 – 39.4 | mm/inch     |
| Weight without head and leg plates                                                 | 300 / 660                  | 310/680                    | 290/638                    | kg/lbs      |
| Length without head and leg plates                                                 | 1130/44.5                  | 1130/44.5                  |                            | mm/inch     |
| Length with head and leg plates                                                    | 2120/83.5                  | 2120/83.5                  |                            | mm/inch     |
| Length without head plate                                                          |                            |                            | 695/27.4                   | mm/inch     |
| Length with head plate                                                             |                            |                            | 990/39.0                   | mm/inch     |
| Width of table top                                                                 | 520/20.5                   | 520/20.5                   | 520/20.5                   | mm/inch     |
| Total width (with side rails)                                                      | 580/22.8                   | 580/22.8                   | 580/22.8                   | mm/inch     |
| Width with lateral table extension                                                 | 880/34.6                   | 880/34.6                   | 880/34.6                   | mm/inch     |
| Trendelenburg / reverse Trendelenburg                                              | 30                         | 30                         | 30                         | degree      |
| Lateral tilting right/left                                                         | 20                         | 20                         | 20                         | degree      |
| Seat plate up                                                                      | 65                         | 65                         | 65                         | degree      |
| Seat plate down                                                                    | 40                         | 40                         | 40                         | degree      |
| Motorised leg plate up                                                             | —                          | 80                         | —                          | degree      |
| Motorised leg plate down                                                           | —                          | 100                        | —                          | degree      |

\* standard configuration, static mode, lowest position

\*\* all positions, dynamic mode

Modular Traction System "MTS"  
One surgical table – Multiple disciplines



General Surgery



Traction for Femur – 1 Leg



Traction for Femur – 2 Legs



Shoulder surgery



Traction for Tibia



MIS-bar – direct anterior approach (DAA) and hip arthroscopies

APPLICATIONS



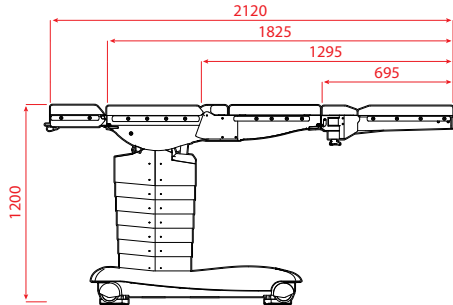
## Accessories for MTS Modular Traction System



|    |                                                                    |       |    |                                                                    |              |
|----|--------------------------------------------------------------------|-------|----|--------------------------------------------------------------------|--------------|
| 1  | Traction bar Metal                                                 | 90981 | 21 | ETS Counter Traction Unit for lateral position                     | 92611        |
| 2  | Telescopic support                                                 | 90193 | 22 | Head Pad for MTS (10 pieces)                                       | A-90023      |
| 3  | Traction bar ADVANCED                                              | 90974 | 23 | Adapter for lower leg surgery                                      | 90896        |
| 4  | Multiclamp slide                                                   | 90928 | 24 | Central rail adapter                                               | 90780        |
| 5  | Supplement bar with plate, right, ARCUS 501/701                    | 90662 | 25 | Short traction bar ADVANCED (without picture)                      | 90923        |
| 6  | Seat Plate ADVANCED, ARCUS 501/701                                 | 90658 | 26 | Extension bow holder, for Kirschner-wire or pin (without picture)  | 90994        |
| 7  | Supplement bar with plate, left, ARCUS 501/701                     | 90661 | 27 | Extension shoe MTS, white (1 piece)                                | 90763        |
| 8  | Multiclamp                                                         | 90978 | 28 | Rotex carbon shoe                                                  | RO.0162.2018 |
| 9  | Additional joint                                                   | 90983 | 29 | Footplate ZSB, right                                               | 2031113      |
| 10 | Connection bar                                                     | 90975 | 30 | Footplate ZSB, left                                                | 2031470      |
| 11 | Bar MIS (1 piece)                                                  | 90738 | 31 | Radial setting clamp with star screw                               | 90897        |
| 12 | Offset holder                                                      | 90958 | 32 | Holder for knee rest                                               | 90759        |
| 13 | Gyn. cut-out plate, ARCUS 501/701                                  | 90673 | 33 | Traction unit                                                      | 90980        |
| 14 | Traction unit, vertical shift                                      | 90895 | 34 | Foot Plate                                                         | 92699        |
| 15 | Perineal rod for arthroscopy                                       | 90990 | 35 | Leg holder "Goepel" (1 piece) (without picture)                    | 90330        |
| 16 | Extension plate, ARCUS 501/701                                     | 90745 | 36 | Radial setting clamp with fixing screw, rotating (without picture) | 90506        |
| 17 | Perineal rod                                                       | 90971 | 37 | Intubation plate (without picture)                                 | 90734        |
| 18 | Lateral extension plate for head rest system, left, ARCUS 501/701  | 90677 |    |                                                                    |              |
| 19 | Head rest system, ARCUS 501/701                                    | 90688 |    |                                                                    |              |
| 20 | Lateral extension plate for head rest system, right, ARCUS 501/701 | 90675 |    |                                                                    |              |

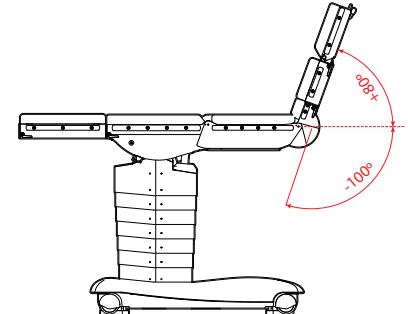
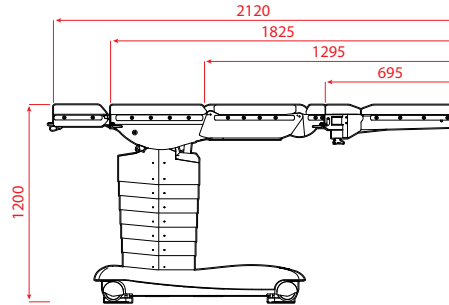
## Product dimensions

### Schaerer ARCUS 501



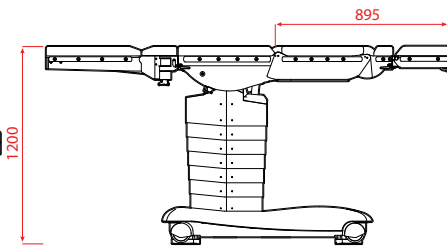
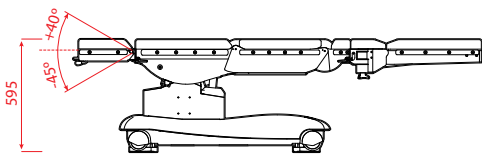
Schaerer ARCUS 501

### Schaerer ARCUS 601

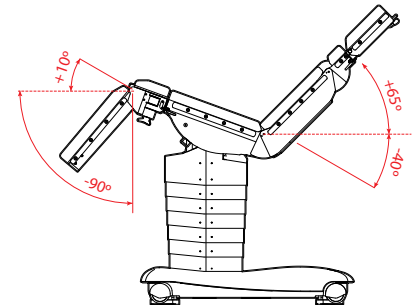


Schaerer ARCUS 601  
Head or leg section up/down,  
second motorised axis

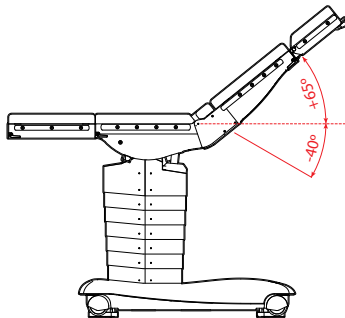
### Schaerer ARCUS 501/601



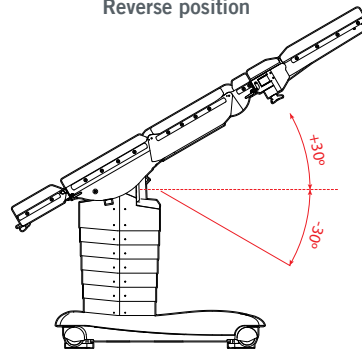
Schaerer ARCUS 501/601  
Reverse position



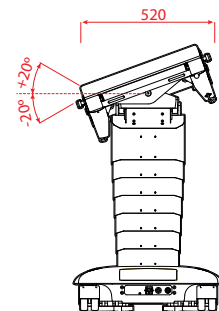
Schaerer ARCUS 501/601  
Beach-chair-position



Schaerer ARCUS 501/601  
Flex/Reflex-Position



Schaerer ARCUS 501/601  
Trendelenburg/Reverse-Trendelenburg



Schaerer ARCUS 501/601  
Lateral tilt left/right

DIMENSION & DATA

## Technical data

#### Technical data:

Electrical mains connection 100-120/200-240 V AC, 50-60 HZ  
Control voltage 24 V DC  
Battery charging time: 6 – 8 hours  
Battery capacity: approx. 20 operations 4 maintenance-free batteries with charge indication on the display of the hand control (and low-battery acoustic signal)  
Side rail dimensions 25x10 mm  
Weight: 300 kg/661.4 lbs

#### Electro-hydraulic:

Height adjustment up/down  
Trendelenburg/Reverse Trendelenburg  
Lateral tilt left/right  
Seat plate up/down  
Leg plate up/down  
Head plate up/down  
Flex/Reflex  
Zero position

#### Manual:

Head plate up/down  
Leg plate up/down  
Leg plates swivelling out 90°

Subject to modifications

CE according to MDD 93/42/EEC



## OUR PRODUCT LINE-UP

### Schaerer ARCUS 501-701

The heavy weight high end table

### Schaerer AXIS 500-700

The most cantilevered high end table

### Schaerer AXIS 350

The mobile versatility mid range table

### Schaerer EOS 120,130,150

The mobile eco line table

### Schaerer MTS Modular Traction System

The advanced Orthopaedic and Trauma system

### Schaerer Accessories

Versatile high-tech solutions for all surgical disciplines



## INNOVATIONS

**Design innovation:** Copied often – never reached

**Material innovation:** Carbon accessories

**Engineering innovation:** Best-in-class features and versatility

**Ergonomic innovation:** Tables and accessories designed for ease of use

**Safety innovation:** Patient safety and patient comfort features

**Schaerer Medical AG**

Erlenauweg 17

CH-3110 Münsingen

Tel. +41 31 720 22 00

Fax +41 31 720 22 30

[info@schaerermedical.ch](mailto:info@schaerermedical.ch)

[www.schaerermedical.ch](http://www.schaerermedical.ch)

**Schaerer Medical USA Inc.**

675 Wilmer Ave

Cincinnati, OH 45226

Tel. +1 513 561 2241

Fax +1 513 561 0195

[info@schaerermedicalusa.ch](mailto:info@schaerermedicalusa.ch)

[www.schaerermedicalusa.ch](http://www.schaerermedicalusa.ch)