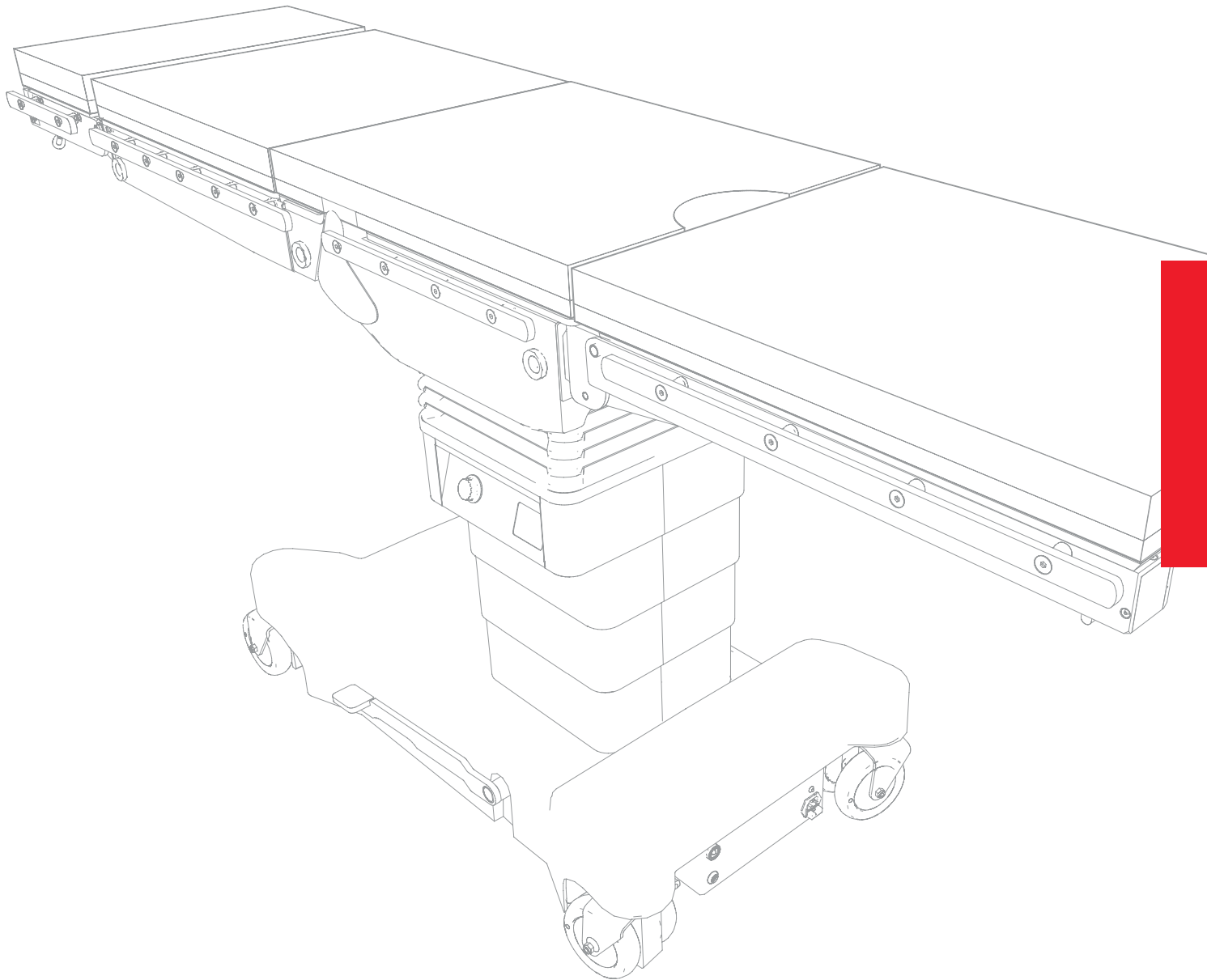


Schaererer AXIS

350



MOBILE VERSATILITY



Introduction

The new Schaerer AXIS 350 is combining Swiss precision with longevity which leads to cost efficiency. Through its unique design, the operating table offers high versatility for all surgical applications. The Schaerer AXIS 350 is an electro-hydraulic operating table with two different available columns, sliding top, motorized joint and Wireless Hand Control (optional).



Benefits at a glance



For every patient

Static workload: 450 kg Dynamic workload: 220 kg

Sliding to the max

300 mm table top sliding with electric lock / unlock

Make it your size

Schaerer AXIS 350 High:
 750 – 1120 mm column range
 (without pad)

Schaerer AXIS 350 Low:
 612 – 982 mm column range
 (without pad)

Always safe

- Foot pump
- Electro-hydraulic manual override
- Operating table stands on locking cylinders

The right direction

- Easy mobility with Drive Unit (optional configuration)
- 5th wheel cornering (optional configuration)

Free to control

The intuitive hand control with colored touch screen (71 mm / 2.8 inch) is available in two versions:

- **Wired Hand Control (standard) with two connecting points on the operating table**
- **Wireless Hand Control (optional) with RFID and Bluetooth technology**

The Bluetooth technology enables the user to control the table even through obstacles. With the RFID recognition the user can use the same Hand Control with another table just by holding the controller to the RFID interface on the desired table.

- **One Hand Control for multiple tables**
- **Unlimited accessibility**

The colored touch display and backlit guided interface enables safe table manipulation:

- **Intuitive interface design**

The following features help to save time and ensures safe handling:

- **Individually programmable memory function to store frequently used patient positions**
- **Log-file for service purposes**
- **Liquid protection: IPX7 on Hand Control**
- **No need of extra charging station for Hand Control**



Positions

Through the mobile versatility concept, various accessories and the high patient weight capacity, the Schaerer AXIS 350 can be used in all surgical disciplines - even for bariatric interventions.



For Bariatric Procedures



For Laparoscopic Procedures in Trendelenburg

Positions



For Gynaecology / Urology Procedures with Short Seat Plate and Leg Holder Great White



For Gynaecology / Urology Procedures



For Rectal Procedures



For Plastic Surgery Procedures



For Nephrectomy and Postero-lateral Spinal Procedures



Reverse Trendelenburg Position



Trendelenburg Position



For Spinal Procedures



For ENT / Ophthalmology Procedures



For Cardiovascular Procedures



For Orthopaedic and Traumatological Procedures

Dedicated accessories orthopaedics

SSP Shoulder Surgery Plate

This system has been designed for Schaerer AXIS 350. The device has two detachable side parts (left and right) to ensure easy and safe patient positioning up to 220 kg/485 lbs patient weight for shoulder surgeries. The head rest system with an integrated ball joint gives full flexibility of the head position. Disposable head pads ensure hygienic procedure.

- 1 92625 SSP Shoulder Surgery Plate
 Schaerer AXIS 350
- 2 92624 SSP Head Rest System
 (Head Rest System including a and b)
- a 92626 SSP Head Rest Holder
- b 90899 Head Rest
- c Optional 90566 Helmet, radiolucent
 (connected to b)
- 3 A-90023 Head pad MTS for
 shoulder plate system (10 pieces)



ETS Traction System

The traction system combines fast, simple and secure set-up to the Schaerer AXIS 350 operating table. The accessories are designed for precise positioning during lower extremity procedures.



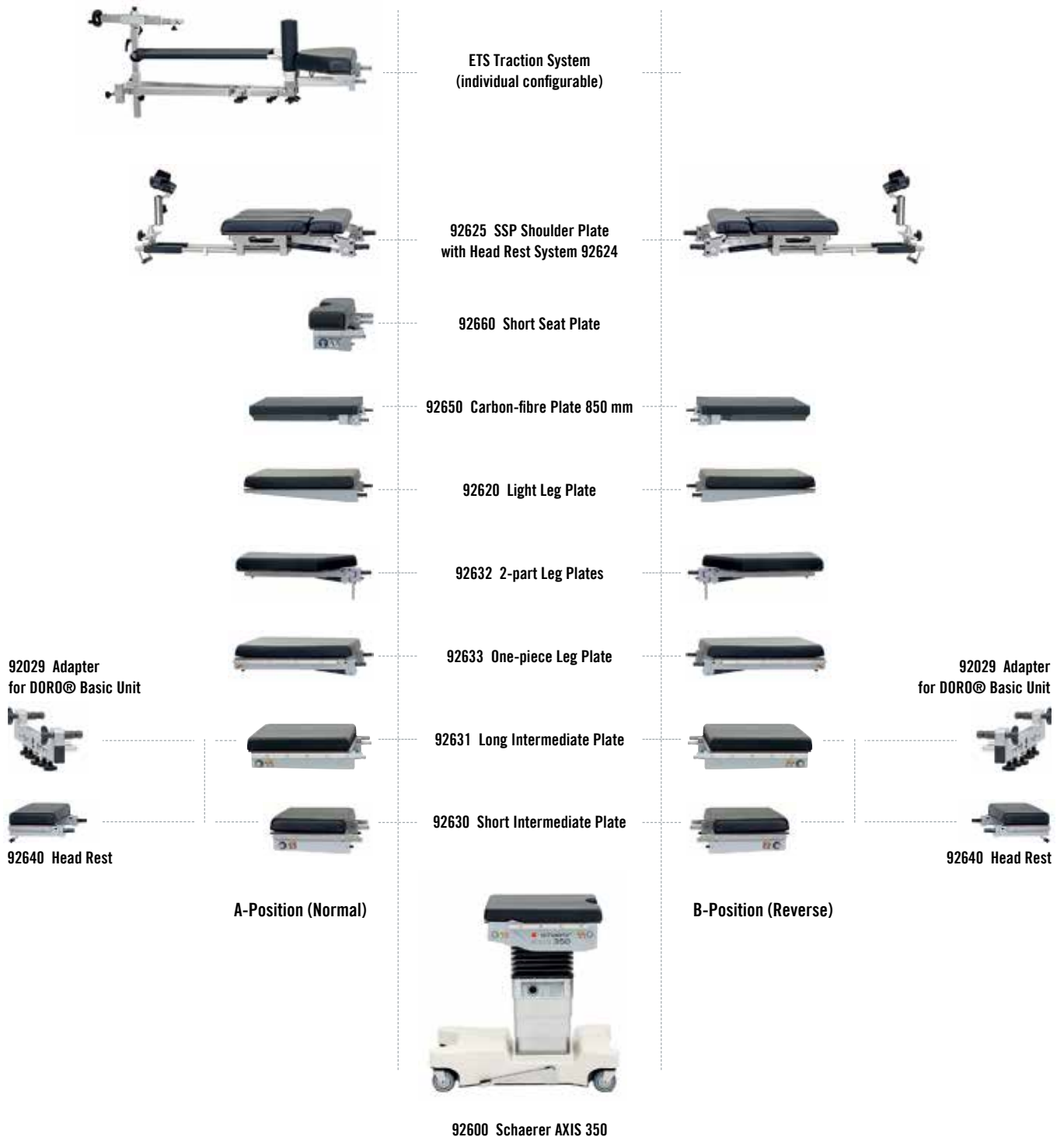
Components (individual configurable)

- | | | | |
|---|---|----|--|
| 1 | 92690 ETS Connection Bar | 8 | 92612 ETS Traction Unit for Tibia |
| 2 | 92691 ETS Seat Plate | 9 | 92699 Foot Plate (1 piece) |
| 3 | 92693 ETS Bar (1 piece) | 10 | 92698 Foot Plate Child (1 piece) |
| 4 | 92694 ETS Traction Unit (1 piece) | 11 | 90763 Extension shoe MTS, white (1 piece) |
| 5 | 92695 ETS Right Leg Plate | 12 | 90971 Perineal Rod |
| 6 | 92696 ETS Left Leg Plate | 13 | 90958 Offset holder, for perineal rod |
| 7 | 92611 ETS Counter Traction Unit for lateral positioning | 14 | 92613 ETS Trolley |
| | | 15 | 90193 Telescopic support (without picture) |



Table top attachments

Modularity at your convenience



Quality of table top pads

- Biocompatible
- X-ray translucent
- Visco-elastic
- Antistatic
- Without phthalates
- Latex free
- Disinfection tolerant
- Electrically conductive

Technical data

Technical data	
Electrical main connection:	100-130/200-240 V AC, 50-60 Hz
Control voltage:	24 V DC
Battery charging time:	8-10 hours
Battery capacity:	22 Ah
Battery type:	Lead acid
Liquid protection:	IPX4
Log-file:	SD card

Movements	Electro hydraulic	Manual
Height adjustment up / down	■	
Trendelenburg / Reverse	■	
Lateral tilt left / right	■	
Short Plate up / down	■	
Head Rest up / down	■ *	■
Flex / Reflex	■	
Zero position	■	
Intermediate Plate up / down	■ *	
Leg Plate up / down	■ *	■
Leg Plates swivelling out 90°	■	

*(connected to the short plate)

Technical Specifications Schaerer AXIS 350

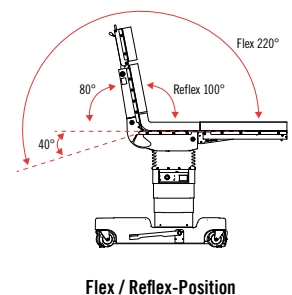
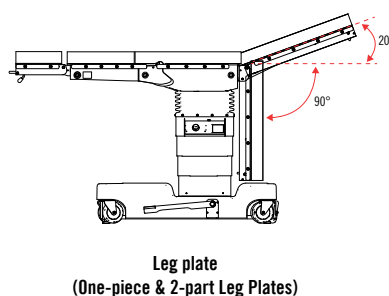
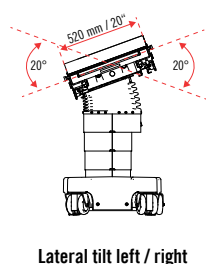
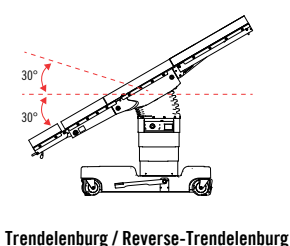
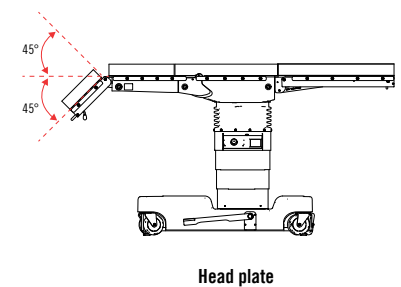
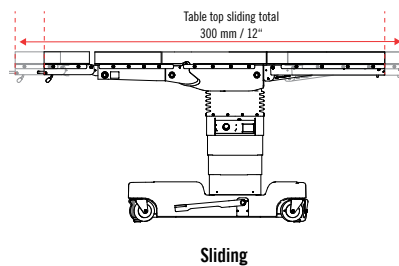
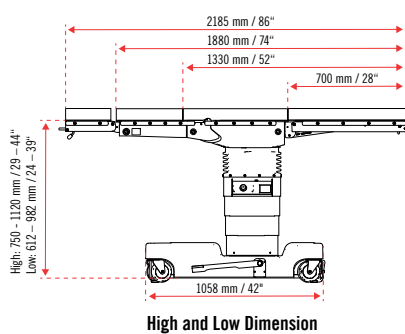
Type	Value	Unit
Length with Head Rest, Long Intermediate Plate and Leg Plates	2185 / 86	mm / inch
Length with Head Rest, Short Intermediate Plate and Leg Plates	2035 / 80.1	mm / inch
Length of table top (Seat Plate and Short Plate)	630 / 24.8	mm / inch
Length of Short Plate	155 / 6.1	mm / inch
Width of table top (without side rails)	520 / 20.5	mm / inch
Width of table top (with side rails)	580 / 22.8	mm / inch
Length table pad (without dedicated accessories)	630 / 24.8	mm / inch
Width table pad (without dedicated accessories)	520 / 20.5	mm / inch
Table top slide	300 / 11.8	mm / inch
Column moving range (High & Low)	370 / 14.6	mm / inch
Column Range AXIS 350 High (lowest & highest position, without pad)	750 – 1120 / 29.5 – 44.1	mm / inch
Column Range AXIS 350 Low (lowest & highest position, without pad)	612 – 982 / 24.1 – 38.7	mm / inch
X-ray window A-Position	1285×348 / 50.6×13.7	mm / inch
X-ray window B-Position	1135×348 / 44.7×13.7	mm / inch
Side rail dimension	25×10	mm
Side rail dimension US	1.125×0.375	inch
Table weight (without dedicated accessories)	255 / 562	kg / lbs
Static workload	450 / 992	kg / lbs
Dynamic workload	220 / 485	kg / lbs
Wheels diameter	125 / 4.9	mm / inch
Short Plate up / down	80 / 40	degree
Trendelenburg / Reversed Trendelenburg	30	degree
Lateral tilting left / right	20	degree

Dimensions Dedicated Accessories

Type	Movements	Value	Unit
Head Rest up / down	Manual	45	degree
Leg Plate up (One-piece & 2-part Leg Plates)	Manual	20	degree
Leg Plate down (One-piece & 2-part Leg Plates)	Manual	90	degree

Type	Unit
Height pads	69 / 2.7 mm / inch

Type	Length	Width	Unit
Dimensions Head Rest pad	270 / 10.6	520 / 20.5	mm / inch
Dimensions Long Intermediate Plate pad	545 / 21.5	520 / 20.5	mm / inch
Dimensions Short Intermediate Plate pad	395 / 15.6	520 / 20.5	mm / inch
Dimensions One-piece Leg Plate pad	697 / 27.4	520 / 20.5	mm / inch
Dimensions 2-part Leg Plate pads	697 / 27.4	255 / 10.0	mm / inch
Dimensions Seat & Short Plate pads	625 / 24.6	520 / 20.5	mm / inch
Dimensions Light Leg Plate pad	697 / 27.4	520 / 20.5	mm / inch
Dimensions Short Seat Plate pad	155 / 6.1	520 / 20.5	mm / inch
Dimensions Carbon-fibre Plate 850 mm pad	850 / 33.5	520 / 20.5	mm / inch
Dimensions Adapter for DORO® Basic Unit	N/A	520 / 20.5	mm / inch
Dimension X-ray Cassette Frame	340 / 13.4	430 / 16.9	mm / inch



Schaerer Medical AG

Erlenauweg 17
CH-3110 Münsingen
Tel. +41 31 720 22 00
Fax +41 31 720 22 30
info@schaerermedical.ch
www.schaerermedical.ch

Schaerer Medical USA, Inc.

675 Wilmer Ave
Cincinnati, OH 45226
Tel. +1 513 561 2241
Fax +1 513 561 0195
info@schaerermedicalusa.com
www.schaerermedicalusa.com